

APCP-1700 Automatic Pool Cover Pump

The APCP-1700 Pool Cover Pump helps to protect your pool cover from prolonged accumulation of rain or melting snow. The APCP-1700 is certified for use on pool covers, and can attach to a standard garden hose for easy water removal. The pump is controlled by a float switch mechanism.

The motor is a continuous duty type equipped with an automatic resetting thermal protector and may restart unexpectedly.

This product is covered by a Limited Warranty for a period of 3 years from the date of original purchase by the consumer. For complete warranty information, refer to www.LittleGiant.com.



Specifications

Model	HP	Volts	Hz	Amps	Watts	ON Levels inches (cm)	OFF Level inches (cm)
APCP-1700	1/3	115	60	2.2	270	2.5 (6.4)	1 (2.5)

Flow Rates

Gallons per Hour/Liters per Hour					Maximum Height ft (m)
1 ft (0.3 m)	5 ft (1.5 m)	10 ft (3 m)	15 ft (4.6 m)	20 ft (6.1 m)	
1745 (6605)	1540 (5625)	1230 (4650)	850 (3210)	490 (1855)	26 (7.9)

SAFETY INSTRUCTIONS

This equipment should be installed and serviced by technically qualified personnel who are familiar with the correct selection and use of appropriate tools, equipment, and procedures. Failure to comply with national and local electrical and plumbing codes and within Little Giant recommendations may result in electrical shock or fire hazard, unsatisfactory performance, or equipment failure.

Know the product's application, limitations, and potential hazards. Read and follow instructions carefully to avoid injury and property damage. Do not disassemble or repair unit unless described in this manual.

Failure to follow installation or operation procedures and all applicable codes may result in the following hazards:

⚠ DANGER



Risk of death, personal injury, or property damage due to explosion, fire, or electric shock.

- Do not use to pump flammable or explosive fluids such as gasoline, fuel oil, kerosene, etc.
- Do not use in explosive atmospheres or hazardous locations as classified by the NEC, ANSI/NFPA70.
- When a pump is in its application, do not touch the motor, pipes, or water until the unit is unplugged or electrically disconnected.
- If the power disconnect is out of sight, lock it in the open position and tag it to prevent unexpected application of power.
- Do not handle pumps or any other system components with wet hands or when standing on a wet or damp surface, or in water.

SAFETY INSTRUCTIONS

Flow Rates

WARNING



Risk of severe injury or death by electrical shock.

- To reduce risk of electrical shock, disconnect power before working on or around the system. More than one disconnect switch may be required to de-energize the equipment before servicing.
- Wire pump system for correct voltage.
- Do not use an extension cord; provide a properly located outlet.
- Be certain that this pump is connected to a circuit equipped with a ground fault circuit interrupter (GFCI) device or a residual current device (RCD) having a rated residual operating current not exceeding 30 mA if required by code.
- Check electrical outlets with a circuit analyzer to ensure power, neutral, and ground wires are properly connected. If not, a qualified, licensed electrician should correct the problem.
- Pumps are supplied with a grounding conductor and grounding-type attachment plug. To reduce risk of electric shock, be certain that it is connected only to a properly grounded grounding-type receptacle. Do not remove the third prong from the plug. The third prong is to ground the pump to help prevent possible electric shock hazard.
- To avoid hazards when installing or servicing, install a double-pole disconnect near the pump installation.
- If the supply cord is damaged, it must be replaced by the manufacturer, its service agent or similarly qualified persons in order to avoid a hazard.
- Do not bury cord. Locate cord to minimize abuse from lawn mowers, hedge trimmers, and other equipment.
- Check local electrical and building codes before installation. The installation must be in accordance with their regulations as well as the most recent National Electrical Code (NEC) and the Occupational Safety and Health Act (OSHA).
- Do not use the power cord for lifting the pump.

CAUTION



Risk of bodily injury, electric shock, or equipment damage.

- This equipment must not be used by children or persons with reduced physical, sensory or mental abilities, or lacking in experience and expertise, unless supervised or instructed. Children may not use the equipment, nor may they play with the unit or in the immediate vicinity.
- Equipment can start automatically. Always unplug the pump power cord and disconnect the electrical power before servicing the pump or switch.
- Make sure that the discharge line of the pump is secure before operating pump. If the discharge line is not secured it could move.
- Do not run pump dry. Running dry will cause serious damage to the pump.
- Do not let the unit freeze. Freezing may cause cracking or distortion that may destroy the unit.
- An inoperative or malfunctioning pump could lead to flooding, resulting in personal injury or property damage.
- Operation of this equipment requires detailed installation and operation instructions provided in this manual for use with this product. Read entire manual before starting installation and operation. End User should receive and retain manual for future use.
- Keep safety labels clean and in good condition.
- Keep work area clean, well-lit, and uncluttered.
- This pump has been evaluated for use with water only. The pump should only be used with liquids compatible with pump component materials. If the pump is used with liquids incompatible with the pump components, the liquid can cause failure to the electrical insulation system resulting in electrical shock.

NOTICE

Risk of damage to pump or other equipment.

- Periodically inspect pump and system components. Regularly check hoses for weakness or wear, making certain that all connections are secure.
- Schedule and perform routine maintenance as required and in accordance with the Maintenance section of this manual.
- The pump's motor bearings contain a small amount of lubricant. In the event of product failure, pollution of the liquid could occur due to leakage of these lubricants.

INSTALLATION

Physical Installation

NOTE: For optimal performance, use a 1-inch I.D. tube.

1. If using tubing:
 - Slide the hose clamp over the tubing.
 - Slip the tubing over the pump discharge.
 - Tighten the clamp.
2. If using a garden hose:
 - Assemble garden hose adapter to the pump discharge.
 - Connect garden hose to adapter and tighten.
3. Secure the discharge hose or tubing so the water does not run back onto the pool cover.
4. Use the handle to gently lower pump onto the pool cover.
5. Position pump on the pool cover using rope and the discharge hose.
 - The pump is equipped with an eyelet (opposite the discharge) for attaching a positioning rope (not included).
 - It is recommended that two people position the pump. One person should hold onto the electrical cord plug to prevent it from being pulled onto the pool cover while the second person positions pump at desired location on pool cover.



IMPORTANT: Do not pull the power cord plug onto pool cover.

Electrical Connections

⚠ WARNING



Risk of severe injury or death by electrical shock.

- To minimize risk of electrical shock, disconnect power before working on or around the system.
- Be certain that this pump is connected to a circuit equipped with a ground fault circuit interrupter (GFCI) device if required by code.
- This pump is supplied with a grounding conductor and grounding-type attachment plug. To reduce risk of electric shock, be certain that it is connected only to a properly grounded grounding-type receptacle. Do not remove the third prong from the plug.
- Be sure the electrical connection cannot be reached by rising water. Under no circumstances should the junction box be located where it may become flooded or submerged by water.

Connect the power cord to a constant source of power matching the voltage specified on the pump nameplate.

- Connect the pump to its own circuit, with no other electric receptacles or equipment in the circuit.
- Ensure that the fuses or circuit breaker are of ample capacity in the electrical circuit.
- A separate branch electrical circuit is recommended.

IMPORTANT: If the power cord is damaged, replace the whole unit.

OPERATION

NOTICE

Risk of damage to pump or other equipment.

- Do not run pump dry. Running dry will cause serious damage to the pump.
- Do not let the unit freeze. Freezing may cause cracking or distortion that may destroy the unit.

During the rainy season, check daily to confirm that the pump is functioning properly.

NOTE: The pump can run against a restricted discharge without damage to the pump.

1. Ensure the pump is upright.
2. Check that the discharge hose is positioned so that the discharged water does not run back onto the pool cover.
3. Confirm that the ON/OFF levels are correct. Refer to [“Specifications” on page 1](#).

NOTE: Temperatures near freezing may cause the ON level to go as high as 4 inches, and the OFF level to be as high as 2 inches.

MAINTENANCE

⚠ WARNING



Risk of severe injury or death by electrical shock.

- To reduce risk of electrical shock, disconnect power before working on or around the system. More than one disconnect switch may be required to de-energize the equipment before servicing.
- Always unplug the pump power cord and disconnect the electrical power before servicing the pump or switch.
- The motor housing of the pump is completely sealed and requires no service. Disassembly of the motor housing or alteration of the power cord voids all warranty.
- Do not handle pumps or any other system components with wet hands or when standing on a wet or damp surface, or in water.

⚠ CAUTION



Risk of bodily injury, electric shock, or equipment damage.

- In applications where screw type fuses are used, remove using only one hand while the other hand and torso are free from contact with anything.

- Keep pump clean and in a well maintained condition at all times.
- Thoroughly clean before storing.
- If pump is left installed during freezing conditions, ensure the power cord remains connected to a power source.

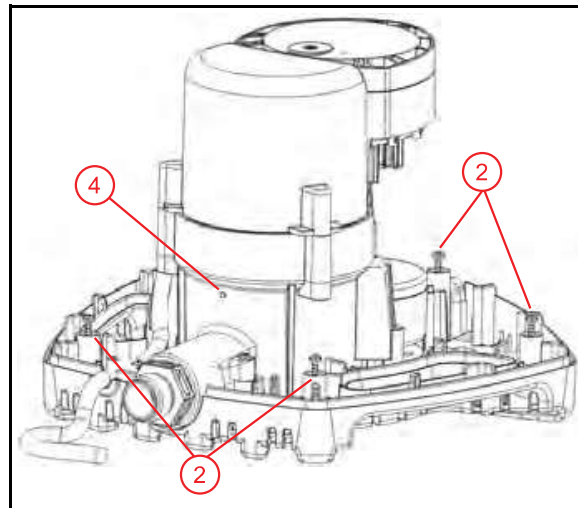
Float Maintenance

If float becomes stuck, clean as needed.

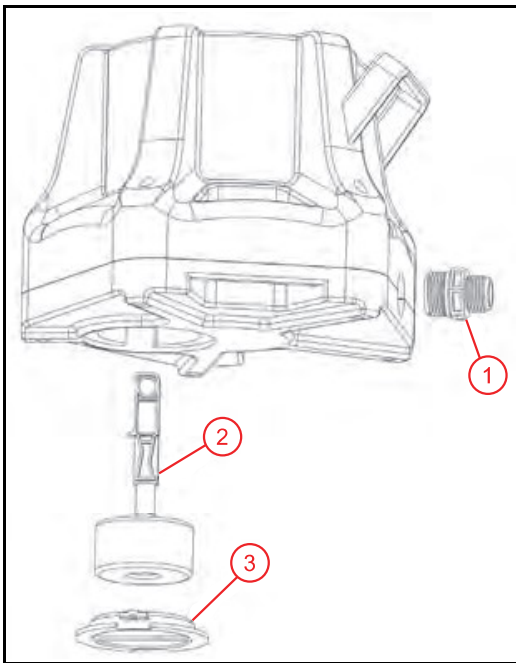
1. Remove the float access cover by turning it towards the “OPEN” arrow as indicated on the cover.
2. Clean as needed.
3. Reinstall access cover.

Periodic Service

1. Disconnect the pump from electrical service.
2. Loosen and remove the five screws from the outer cover (four shown).
3. Remove the outer cover.
4. Clean debris from the vent hole.
5. Re-install the outer cover and screws.
6. Re-connect the pump to electrical service.



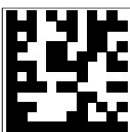
Replacement Parts List



Item	Description	Part No.
1	Garden hose adapter	177343
2	Float/Stem assembly	177344
3	Float Access Cover	177345

Troubleshooting

Problem	Probable Causes	Corrective Action
Pump does not turn on	Pump is not plugged in	Plug in the pump.
	Circuit breaker is off or fuse is removed	Turn on circuit breaker or replace fuse.
	Accumulation of trash on float	Remove the float access cover. Clean float.
	Float obstruction	Refer to “Float Maintenance” on page 4.
	Defective switch	Replace pump.
	Defective motor	Replace pump.
Pump will not shut off	Float obstruction	Refer to “Float Maintenance” on page 4.
	Defective switch	Replace pump.
	Pump is air locked	Shut power off for approximately 1 minute, then restart. Repeat several times to clear air from pump. If this does not resolve the problem, clean the vent hole. Refer to “Maintenance” on page 4.
	Liquid inflow matches or exceeds pump output capacity	Multiple or larger pump required.
	Frozen water in discharge hose	Thaw hose or replace hose.
Pump runs but does not discharge liquid	Lift too high for pump	Check rated pump performance.
	Inlet to impeller plugged	Pull pump and clean.
	Pump is air locked	Shut power off for approximately 1 minute, then restart. Repeat several times to clear air from pump. If this does not resolve the problem, clean the vent hole. Refer to “Maintenance” on page 4.
	Outlet flow is blocked	Check outlet tubing to ensure that it is not kinked or blocked. Clear blocked tubing of slime and debris. Clean inlet and outlet piping.
	Frozen water in discharge hose	Thaw hose or replace hose.
Pump does not deliver rated capacity	Lift too high for pump	Check rated pump performance.
	Low voltage, speed too slow	Check that supply voltage matches nameplate rating.
	Impeller or discharge pipe is clogged	Pull pump and clean. Check pipe for scale or corrosion.
	Discharge hose diameter is too small	Replace discharge hose with larger diameter hose.
Pump cycles continually	No check valve in long discharge pipe allowing water to drain back onto cover	Install a check valve in the discharge line.
	Check valve leaking	Inspect check valve for correct operation.
	Defective switch	Replace pump.
	Volute clogged	Clean screen and basket.
	Float obstruction	Refer to “Float Maintenance” on page 4.
	Thermal protector activated	Allow pump to cool.
Protector tripping (motor overloading/overheating)	GFCI device activated	Inspect all electrical connections and reset the GFCI.
	Obstructed pump impeller	Pull pump and clean. Check pipe for scale or corrosion.
	Pump air-locked	Shut power off for approximately 1 minute, then restart. Repeat several times to clear air from pump. If this does not resolve the problem, clean the vent hole. Refer to “Maintenance” on page 4.
	Excessively high or low voltage supply	Refer to “Specifications” on page 1.
	Pump, motor, bearings, or seal have reached the end of their useful life	Replace pump.



For technical assistance, parts, or repair, please contact:

800.701.7894 | littlegiant.com

998295 Rev. 005 06/22

Little GIANT[®]

Franklin Electric Co., Inc. | Oklahoma City, OK 73157-2010

Copyright © 2022, Franklin Electric Co., Inc. All rights reserved.

Bomba automático para cobertor de piscina APCP-1700

La Bomba para cobertor de piscina APCP-1700 ayuda a proteger el cobertor de su piscina de la acumulación prolongada de lluvia o nieve derritiéndose. La APCP-1700 está certificada para usar sobre cobertores de piscinas y se puede unir a una manguera de jardín estándar para facilitar el retiro del agua. Un mecanismo de interruptor de flotador controla la bomba.

El motor es uno del tipo de funcionamiento continuo equipado con protector térmico de reconexión automática y puede volver a arrancar inesperadamente.

Este producto está cubierto por una garantía limitada por un período de 3 años desde la fecha original de compra por parte del consumidor. Para obtener información completa sobre la garantía, consulte www.LittleGiant.com.



Especificaciones

Modelo	HP	Voltios	Hz	Amperios	Vatios	Nivel de encendido pulgadas (cm)	Nivel de apagado pulgadas (cm)
APCP-1700	1/3	115	60	2.2	270	2.5 (6.4)	1 (2.5)

Tasas de flujo

Litros por hora/Galones por hora					Altura máxima m (pies)
0.3 m (1 pies)	1.5 m (5 pies)	3 m (10 pies)	4.6 m (15 pies)	6.1 m (20 pies)	
6605 (1745)	5625 (1540)	4650 (1230)	3210 (850)	1855 (490)	7.9 (26)

INSTRUCCIONES SOBRE SEGURIDAD

La instalación y el mantenimiento de este equipo deben estar a cargo de personal con capacitación técnica que esté familiarizado con la correcta elección y uso de las herramientas, equipos y procedimientos adecuados. El hecho de no cumplir con los códigos eléctricos y de plomería nacionales y locales y con las recomendaciones de Little Giant puede provocar peligros de descarga eléctrica o incendio, desempeños insatisfactorios o fallas del equipo.

Lea y siga las instrucciones cuidadosamente para evitar lesiones y daños a los bienes. No desarme ni repare la unidad salvo que esté descrito en este manual.

El hecho de no seguir los procedimientos de instalación o funcionamiento y todos los códigos aplicables puede ocasionar los siguientes peligros:

⚠ PELIGRO



Riesgo de muerte, lesiones personales o daños materiales por explosión, incendio o descarga eléctrica.

- No usar para bombear líquidos inflamables o explosivos como gasolina, fueloil, kerosene, etc.
- No usar en atmósferas explosivas ni lugares peligrosos según la clasificación de la NEC, ANSI/NFPA70.
- Cuando haya una bomba en su aplicación, no toque el motor, las tuberías ni el agua sino hasta haber desenchufado o eléctricamente desconectado la unidad.
- Si la desconexión de alimentación está fuera del sitio, bloquéela en la posición abierta y etiquétela para evitar una conexión inesperada de la alimentación.
- No manipule la bomba ni el motor de la bomba con las manos mojadas o parado sobre una superficie mojada o húmeda o en agua.

INSTRUCCIONES SOBRE SEGURIDAD

Tasas de flujo

⚠ ADVERTENCIA



Riesgo de lesiones graves o muerte por descarga eléctrica.

- Para reducir el riesgo de descarga eléctrica, desconecte la energía antes de trabajar en el sistema o cerca de él. Es posible que sea necesario más de un interruptor de desconexión para cortar la energía del equipo antes de realizarle un mantenimiento.
- Cablee el sistema de bombeo para los voltajes correctos.
- No use un prolongador.
- Asegúrese de que esta bomba esté conectada a un circuito equipado con un dispositivo interruptor de circuito por falla de conexión a tierra (GFIC) o un dispositivo diferencial residual (DDR) que tengan una corriente de funcionamiento nominal que no exceda 30 mA si lo requiere el reglamento electrotécnico.
- Revise los tomacorrientes con un analizador de circuito para garantizar que los cables de alimentación, neutro y a tierra estén conectados correctamente. De lo contrario, un electricista calificado y autorizado deberá rectificar el problema.
- Las bombas se suministran con un conductor de puesta a tierra y un enchufe macho tipo de puesta a tierra. Para reducir el riesgo de choque eléctrico, cerciórese de que esté conectado únicamente a una toma de corriente de tipo de puesta a tierra conectada a tierra correctamente. No retire la tercera clavija del enchufe macho. La tercera clavija sirve para poner la bomba a tierra para ayudar a evitar el posible peligro de choque eléctrico.
- Para evitar peligros al instalar o realizar mantenimiento, instale un interruptor de desconexión bipolar cerca de la instalación de la bomba.
- A efectos de evitar un peligro, si el cordón de alimentación está dañado, debe ser sustituido por el fabricante, su agente de servicio u otras personas igualmente calificadas.
- No entierre el cordón de alimentación. Ponga el cable de tal forma que minimice el abuso ocasionado por podadoras de césped, cizallas para cortar setos y otros equipos.
- Compruebe los códigos eléctricos y de construcción locales antes de la instalación. La instalación debe estar de acuerdo con sus regulaciones, así como el National Electrical Code (NEC) más reciente y la ley de Seguridad y Salud Ocupacionales (OSHA).
- No use el cable eléctrico para levantar la bomba.
- La bomba únicamente ha sido evaluada para su uso con agua. La bomba solo se debe utilizar con líquidos compatibles con los materiales que componen la bomba. Si la bomba se utiliza con líquidos incompatibles con los componentes de la bomba, el líquido puede causar fallas en el sistema de aislamiento eléctrico, lo que resulta en una descarga eléctrica.

⚠ PRECAUCIÓN



Riesgo de lesiones corporales, descargas eléctricas o daños al equipo.

- Este equipo no deben usarlo niños ni personas con capacidades físicas, sensoriales o mentales reducidas, ni aquellos que carezcan de experiencia y capacitación, salvo que estén bajo supervisión o instrucción. Los niños no podrán usar el equipo ni jugar con la unidad o en las cercanías inmediatas.
- El equipo puede encenderse en forma automática. Siempre desenchufe el cable eléctrico de la bomba y desconecte la alimentación eléctrica antes de realizar el mantenimiento de la bomba o del interruptor.
- Asegúrese de que la tubería de descarga de la bomba esté fija antes de accionar la bomba. Si la tubería de descarga de la bomba no está fija se puede mover.
- No haga funcionar vacía la bomba. Funcionar en seco puede dañar la bomba.
- No deje que la unidad se congele. El congelamiento puede causar agrietamiento o distorsión que pueden destruir la unidad.
- Una bomba que no funciona o funciona mal podría provocar una inundación y provocar lesiones personales o daños materiales.
- La operación de este equipo exige instrucciones detalladas para su instalación y operación que se encuentran en este manual para su uso con este producto. Lea la totalidad del manual antes de comenzar la instalación y la operación. El usuario final debe recibir y conservar el manual para usos futuros.
- Mantenga las etiquetas de seguridad limpias y en buenas condiciones.
- Mantenga el área de trabajo limpia, bien iluminada y ordenada.

AVISO

Riesgo de daños a la bomba u otros equipos.

- Inspeccione periódicamente los componentes del sistema y la bomba. Revise regularmente las mangueras para controlar si están débiles o gastadas y asegúrese de que todas las conexiones sean seguras.
- Programe y realice servicios de mantenimiento de rutina, tal como se indica en la sección Mantenimiento del sistema.
- Los cojinetes del motor de la bomba contienen una pequeña cantidad de lubricante. Es el caso de fallo del producto, puede producirse contaminación del líquido debido a fugas de estos lubricantes.

INSTALACIÓN

Instalación física

NOTA: Para un rendimiento óptimo, usa un tubo de 2.54 cm (1 pulgada) de DI.

1. Si usa tubos:
 - Deslice la abrazadera de la manguera por encima de la tubería.
 - Deslice la tubería por encima de la descarga de la bomba.
 - Ajuste la abrazadera.
2. Si usa una manguera de jardín:
 - Monte el adaptador de la manguera de jardín para la descarga de bomba.
 - Monte la manguera del jardín al adaptador y apriete.
3. Asegure la manguera de descarga para que el agua no vuelva a la cubierta de la piscina.
4. Use el asa para bajar la bomba suavemente sobre el cobertor de piscina.
5. Use la cuerda y la manguera de descarga para colocar la bomba en posición en el cobertor de piscina.
 - La bomba tiene un ojete (opuesto a la descarga) para fijar una cuerda para colocarla en posición (no incluida).
 - Recomendamos que dos personas coloquen la bomba en posición. Una persona debe sujetar el enchufe del cordón de alimentación para evitar empujarlo sobre el cobertor de piscina, mientras la segunda persona coloca la bomba en posición en la posición deseada sobre el cobertor de piscina.



IMPORTANTE: No empuje el cordón de alimentación sobre el cobertor de piscina.

Conexiones eléctricas

⚠ ADVERTENCIA



Riesgo de lesiones graves o muerte por descarga eléctrica.

- Para minimizar el riesgo de descarga eléctrica, desconecte la energía antes de trabajar en o alrededor del sistema.
- Cerciérese de que esta bomba esté conectada a un circuito equipado con un dispositivo interruptor de circuito de fallos de conexión a tierra si es requerido por el reglamento electrotécnico.
- Esta bomba se suministran con un conductor de puesta a tierra y un enchufe macho tipo de puesta a tierra. Para reducir el riesgo de descarga eléctrica, cerciérese de que esté conectado únicamente a un receptáculo de tipo de puesta a tierra conectado a tierra correctamente. No retire la tercera clavija del enchufe macho.
- Asegúrese de que el nivel de agua no pueda alcanzar la conexión eléctrica. La caja de empalmes no debe ubicarse bajo ninguna circunstancia en un lugar que pueda inundarse o quedar sumergido.

Conecte el cable de alimentación a una fuente constante de energía que coincida con el voltaje en la placa de identificación de la bomba.

- La bomba se debe conectar o cablear en su propio circuito sin otras salidas o equipos en la línea de circuito.
- Los fusibles y el disyuntor deben tener una capacidad amplia en el circuito eléctrico.
- Recomendamos un circuito eléctrico derivado separado.

IMPORTANTE: Si el cable de alimentación está dañado, reemplace la unidad en su totalidad.

OPERACIÓN

AVISO

Riesgo de daños a la bomba u otros equipos.

- No haga funcionar vacía la bomba. Funcionar en seco puede dañar la bomba.
- No deje que la unidad se congele. La congelación puede causar agrietamiento o distorsión que puede destruir la unidad.

Durante la estación lluviosa, compruebe diariamente para confirmar que la bomba está funcionando correctamente.

NOTA: La bomba puede funcionar contra una descarga restringida sin sufrir daños.

1. Cerciórese de que la bomba esté vertical.
2. Confirme que la manguera de descarga esté colocada en posición de manera que el agua descargada no corra de vuelta sobre el cobertor de piscina.
3. Confirme que los niveles de conexión/desconexión estén correctos. Consulte [“Especificaciones” on page 7.](#)

NOTA: La temperaturas cercanas al congelamiento pueden causar que el nivel de conexión se eleve hasta 4 pulgadas (102 mm) y el de desconexión hasta 2 pulgadas (51 mm).

MANTENIMIENTO

⚠ ADVERTENCIA



Riesgo de lesiones graves o muerte por descarga eléctrica.

- Para reducir el riesgo de descarga eléctrica, desconecte la energía antes de trabajar en el sistema o cerca de él. Es posible que sea necesario más de un interruptor de desconexión para cortar la energía del equipo antes de realizarle un mantenimiento.
- Siempre desenchufe el cable eléctrico de la bomba y desconecte la alimentación eléctrica antes de realizar el mantenimiento de la bomba o del interruptor.
- La carcasa del motor de la bomba es completamente hermética y no requiere mantenimiento. Desarmar la carcasa del motor o alterar el cordón de alimentación anula toda la garantía.
- No manipule la bomba ni el motor de la bomba con las manos mojadas o parado sobre una superficie mojada o húmeda o en agua.

⚠ PRECAUCIÓN



Riesgo de lesiones corporales, descargas eléctricas o daños al equipo.

- En las aplicaciones donde se usan fusibles tipo tornillo, retírelos usando una sola mano mientras la otra mano y el torso no están en contacto con nada.
- Mantenga en todo momento la bomba limpia y en condición de buen mantenimiento.
- La bomba se debe limpiar a fondo para el almacenamiento.
- Si la bomba se deja instalada durante estas condiciones, asegúrese de que el cordón de alimentación permanezca conectado a una fuente de alimentación.

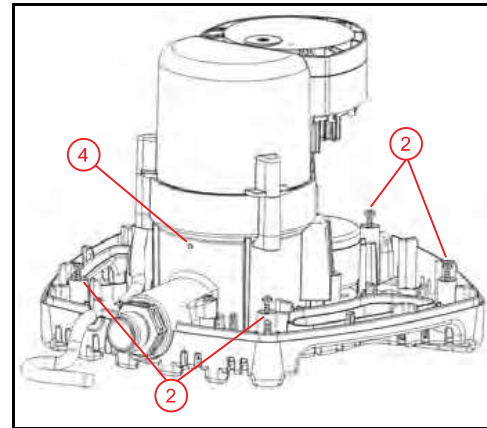
Float Maintenance

Si el flotador se queda trabado, retire la cubierta de acceso al flotador en la parte inferior de la unidad.

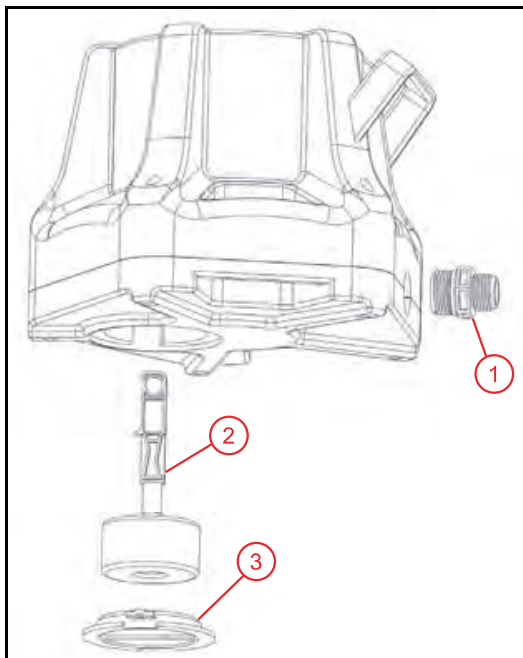
1. Retire la cubierta girándola hacia la flecha "OPEN" (Abrir) como se indica en la cubierta.
2. Limpie como sea necesario.
3. Vuelva a instalar la cubierta de acceso.

Periodic Service

1. Desconecte la bomba del servicio eléctrico.
2. Afloje y retire los cinco tornillos de la cubierta externa (se muestran cuatro).
3. Retire la cubierta exterior.
4. Limpie la suciedad del orificio de ventilación.
5. Vuelva a instalar la cubierta externa y los tornillos.
6. Vuelva a conectar la bomba del servicio eléctrico.



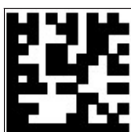
Piezas de repuesto



Elemento	Número de pieza	Descripción
1	177343	Adaptador para manguera de jardín
2	177344	Ensamblado del mecanismo flotante/vástago
3	177345	Tapa de acceso del flotante

Solución de problemas

Problema	Causas probables	Acción correctiva
La bomba no se conecta.	La bomba no está enchufada.	Enchufe la bomba.
	Interruptor automático de protección desconectado o se retiró el fusible.	Conecte el interruptor automático de protección o vuelva a colocar el fusible.
	Acumulación de basura en el flotador	Retire la cubierta de acceso al flotador. Limpie el flotador.
	Obstrucción del flotador.	Consulte "Float Maintenance" on page 11.
	Interruptor defectuoso.	Sustituya la bomba.
	Motor defectuoso.	Sustituya la bomba.
La bomba no se apaga.	Obstrucción del flotador.	Consulte "Float Maintenance" on page 11.
	Interruptor defectuoso.	Sustituya la bomba.
	La bomba está bloqueada por un bolsillo de aire	Corte la alimentación eléctrica un minuto aproximadamente, después vuelva a arrancar la bomba. Repita varias veces para liberar el aire de la bomba. Si esto no resuelve el problema, limpie el orificio de ventilación. Consulte "Mantenimiento" on page 10.
	El caudal de entrada de líquido coincide con la capacidad de salida de la bomba o la supera.	Se requieren varias bombas o una bomba más grande. Consulte Dimensionamiento de la capacidad.
	Agua congelada en la manguera de descarga.	Descongele o sustituya la manguera.
La bomba funciona pero no descarga líquido.	Altura de aspiración demasiado alta para la bomba.	Compruebe el rendimiento nominal de la bomba.
	Entrada al impulsor obstruida.	Retire la bomba y límpiela.
	La bomba está bloqueada por un bolsillo de aire	Corte la alimentación eléctrica un minuto aproximadamente, después vuelva a arrancar la bomba. Repita varias veces para liberar el aire de la bomba. Si esto no resuelve el problema, limpie el orificio de ventilación. Consulte "Mantenimiento" on page 10.
	El flujo de salida está bloqueado.	Compruebe la tubería de salida para asegurar que no esté retorcida ni bloqueada. Despeje de lodo y residuos la tubería bloqueada. Limpie las tuberías de entrada y salida.
	Agua congelada en la manguera de descarga.	Descongele o sustituya la manguera.
La bomba no entrega la capacidad nominal.	Altura de aspiración demasiado alta para la bomba.	Compruebe el rendimiento nominal de la bomba.
	Baja tensión, velocidad demasiado lenta.	Compruebe que la tensión suministrada coincida con la tensión nominal de la placa de identificación.
	El impulsor o la tubería de descarga están obstruidos.	Retire la bomba y límpiela. Compruebe tubería en busca de sarro o corrosión.
	El diámetro de la manguera de descarga es muy pequeño.	Sustituya la manguera de descarga con una manguera de mayor diámetro. Consulte Dimensionamiento de la capacidad.
La bomba se enciende y se apaga continuamente.	No hay válvula de retención en un tubo de descarga largo lo que permite que el agua descargue de vuelta a la cubierta.	Instale una válvula de retención en la tubería de descarga.
	Válvula de retención con fugas.	Inspeccione la válvula de retención en busca del funcionamiento correcto.
	Interruptor defectuoso.	Sustituya la bomba.
	Voluta obstruida.	Limpie la rejilla y la cesta.
	Obstrucción del flotador.	Consulte "Float Maintenance" on page 11.
	Protector térmico activado.	Permita que se enfríe la bomba.
	Dispositivo interruptor de circuito de fallos de conexión a tierra activado.	Inspeccione todas la conexiones eléctricas y restablezca el interruptor de circuito de fallos de conexión a tierra.
El accionamiento de protector (sobrecarga/sobrecalentamiento del motor)	Un impulsor de bomba obstruido	Retire la bomba y límpiela. Compruebe tubería en busca de sarro o corrosión.
	La bomba está bloqueada por un bolsillo de aire	Corte la alimentación eléctrica un minuto aproximadamente, después vuelva a arrancar la bomba. Repita varias veces para liberar el aire de la bomba. Si esto no resuelve el problema, limpie el orificio de ventilación. Consulte "Mantenimiento" on page 10.
	suministro de tensión muy alto o muy bajo	Consulte "Especificaciones" on page 7.
	La bomba, el motor, los cojinetes o las juntas hayan alcanzado la finalización de su vida útil.	Sustituya la bomba.



Para la ayuda técnica, por favor póngase en contacto:

800.701.7894 | littlegiant.com

998295 Rev. 005 06/22

LittleGIANT®

Franklin Electric Co., Inc. | Oklahoma City, OK 73157-2010

Copyright © 2022, Franklin Electric, Co., Inc. Todos los derechos están reservados.

Pompe de bêche de piscine automatique APCP-1700

La pompe de bêche de piscine APCP-1700 permet de protéger votre bêche de piscine d'une longue période d'accumulation de pluie ou de neige fondante. L'APCP-1700 est certifiée pour être utilisée sur des bâches de piscine et peut être raccordée à un tuyau d'arrosage standard pour faciliter l'évacuation de l'eau. La pompe est commandée par un mécanisme d'interrupteur à flotteur.

Le moteur est de type à service continu équipé d'un protecteur thermique à réinitialisation automatique et peut redémarrer de façon inattendue.

Ce produit est couvert par une garantie limitée pour une période de 3 ans à compter de la date d'achat originale par le consommateur. Pour obtenir des informations complètes sur la garantie, consultez www.LittleGiant.com.



Spécifications

Modèle	CH	Volts	Hz	Ampères	Watts	Niveau de mise en marche po (cm)	Niveau d'arrêt po (cm)
APCP-1700	1/3	115	60	2,2	270	2,5 (6,4)	1 (2,5)

Débits

Litres par heure/Gallons par heure					Hauteur maximale m (pi)
0,3 m (1 po)	1,5 m (5 pi)	3 m (10 pi)	4,6 m (15 pi)	6,1 m (20 pi)	
6605 (1745)	5625 (1540)	4650 (1230)	3210 (850)	1855 (490)	7,9 (26)

CONSIGNES DE SÉCURITÉ

Cet équipement doit être installé et entretenu par des techniciens qualifiés capables de choisir et d'utiliser les outils, les équipements et les procédures appropriés. Le non-respect des codes électriques et codes de plomberie local et national et des recommandations de Little Giant pourrait mener à une électrocution ou un incendie, une mauvaise performance ou une défaillance de l'équipement.

Lisez et suivez attentivement les instructions pour éviter toute blessure ou tout dommage matériel. Ne démontez pas et ne réparez pas l'appareil si ces opérations ne sont pas décrites dans le présent manuel.

Le non-respect des procédures d'installation ou d'utilisation et de tous les codes en vigueur peut entraîner les risques suivants:

▲ DANGER



Risque de mort, de blessure corporelle ou de dommage matériel en raison d'une explosion, d'un incendie ou d'une électrocution.

- Ne pas utiliser pour pomper des liquides inflammables ou explosifs comme l'essence, le mazout, le kérosène, etc.
- Ne pas utiliser dans une atmosphère explosive ou un emplacement dangereux selon le Code national de l'électricité, ANSI/NFPA70.
- Lorsqu'une pompe est en mode de fonctionnement, ne pas toucher le moteur, les tuyaux ou l'eau tant que l'unité n'a pas été débranchée ou déconnectée électriquement.
- Si le dispositif de coupure du circuit d'alimentation se situe hors site, le verrouiller en position ouverte et le consigner afin d'empêcher toute mise sous tension inopinée.
- Ne manipulez pas une pompe ou tout composant du système avec les mains mouillées ou debout sur une surface humide ou mouillée, ou dans de l'eau.

CONSIGNES DE SÉCURITÉ

Débits

AVERTISSEMENT



Risque de blessure grave ou de mort par électrocution.

- Pour réduire le risque de choc électrique, débranchez l'alimentation avant de travailler sur le système ou autour de celui-ci. Plusieurs interrupteurs d'isolement peuvent être nécessaires pour décharger l'équipement avant de procéder à son entretien.
- Raccorder le système de pompe en respectant la tension indiquée.
- Ne pas utiliser de rallonge.
- Assurer de brancher la pompe à un circuit protégé par un disjoncteur de défaut à la terre (GFCI) ou à un interrupteur à courant différentiel résiduel (DCR) présentant un courant de fonctionnement résiduel nominal ne dépassant pas 30 mA si la réglementation l'exige.
- Vérifier les prises électriques à l'aide d'un analyseur de circuit pour s'assurer que les fils de phase, de neutre et de terre sont correctement branchés. Si ce n'est pas le cas, le problème doit être corrigé par un électricien qualifié agréé.
- Les pompes sont fournies avec un conducteur de terre et une fiche de branchement pouvant être mise à la terre. Pour réduire le risque de décharge électrique, assurez-vous qu'elles ne sont connectées qu'à une prise de terre correctement raccordée à la terre. Ne retirez pas la troisième broche de la fiche. La troisième broche sert à la mise à la terre de la pompe pour éviter tout risque de décharge électrique.
- Pour éviter tout risque de décharge électrique lors de l'installation ou de l'entretien, installez un sectionneur bipolaire à proximité de l'installation de la pompe.
- Si le cordon d'alimentation est endommagé, il doit être remplacé par le fabricant, son agent d'entretien ou un technicien qualifié afin d'éviter tout accident.
- N'enterrez pas le cordon. Placer le câble de façon à réduire au minimum les risques de dommages provenant des tondeuses à gazon, taille-haies et autres équipements.
- Vérifiez les codes locaux d'électricité et de bâtiment avant l'installation. L'installation doit être conforme à la réglementation ainsi qu'au NEC (Code américain de l'électricité) le plus récent et l'OSHA (loi sur la santé et la sécurité au travail des États-Unis).
- Ne pas soulever la pompe à l'aide du cordon électrique.
- La pompe a été évaluée pour être utilisée avec de l'eau uniquement. La pompe doit être utilisée uniquement avec des liquides compatibles avec les matériaux de ses composants. Si la pompe est utilisée avec des liquides incompatibles avec les composants de la pompe, le liquide peut provoquer une défaillance du système d'isolation électrique entraînant un choc électrique.

ATTENTION



Risque de blessure, de choc électrique ou de dégâts matériels.

- Cet équipement ne doit pas être utilisé par des enfants ou des personnes aux capacités physiques, sensorielles ou cognitives réduites, ou par des personnes n'ayant pas l'expérience ou l'expertise appropriée, sauf si ces personnes sont supervisées ou ont reçu des instructions à cet effet. Les enfants ne doivent pas utiliser l'équipement ni jouer avec l'appareil ou dans sa proximité immédiate.
- L'équipement peut démarrer automatiquement. L'équipement peut démarrer automatiquement. Toujours débrancher le cordon d'alimentation de la pompe et couper l'alimentation électrique avant d'entretenir la pompe ou l'interrupteur.
- Assurez-vous que la conduite de refoulement de la pompe est sécurisée avant de faire fonctionner la pompe. Si la conduite de refoulement n'est pas sécurisée, elle peut se déplacer.
- Ne pas faire fonctionner la pompe à sec. Un fonctionnement à sec peut causer de sérieux dommages à la pompe.
- Ne laissez pas l'appareil geler. Le gel peut provoquer des fissures ou des déformations qui peuvent endommager l'appareil.
- Une pompe inopérante ou défectueuse pourrait entraîner une inondation, des blessures corporelles ou des dommages matériels.
- L'utilisation de cet équipement nécessite les instructions d'installation et d'utilisation détaillées fournies dans le présent manuel à utiliser avec ce produit. Lisez le manuel intégralement avant de procéder à l'installation et à l'utilisation du produit. L'utilisateur final doit recevoir et conserver le manuel pour consultation ultérieure.
- Garder les étiquettes de sécurité propres et en bon état.
- Garder la zone de travail propre, bien éclairée et dégagée.

AVIS

Risque de dommages à la pompe ou d'autres équipements.

- Inspecter périodiquement la pompe et les composants du système. Vérifier régulièrement que les tuyaux flexibles ne montrent pas de signe de faiblesse ou d'usure et que les branchements sont tous fiables.
- Prévoir et effectuer un entretien régulier, conformément aux exigences énoncées à la section sur l'entretien.
- Les roulements du moteur de la pompe contiennent une petite quantité de lubrifiant. En cas de défaillance du produit, une fuite de lubrifiant peut entraîner une pollution du liquide.

INSTALLATION

Installation Physique

REMARQUE: Pour des performances optimales, utilisez un tuyau d'un diamètre interne de 2,54 cm (1 po).

1. Si vous utilisez des tubes :
 - Faites glisser le collier de serrage sur le tube.
 - Faites glisser le tube sur le refoulement de la pompe.
 - Serrez le collier.
2. Si vous utilisez un tuyau d'arrosage :
 - Montez l'adaptateur du tuyau d'arrosage sur le refoulement de la pompe.
 - Fixez le tuyau d'arrosage à l'adaptateur et serrez.
3. Sécurisez le tuyau de refoulement afin que l'eau ne revienne pas sur la couverture de la piscine.
4. Utilisez la poignée pour abaisser doucement la pompe sur la bâche de piscine.
5. Positionnez la pompe sur la bâche de piscine à l'aide d'une corde et le tuyau d'arrosage.
 - La pompe est équipée d'un œillet (en face de l'évacuation) destiné à attacher une corde de positionnement (non incluse).
 - Deux personnes sont recommandées pour positionner la pompe. Une personne doit tenir la fiche du cordon électrique pour éviter qu'elle ne soit tirée sur la bâche de piscine tandis que la seconde personne place la pompe à l'emplacement désiré sur la bâche de piscine.



IMPORTANT : Ne pas tirer la fiche du cordon d'alimentation sur la bâche de la piscine

Connexions électriques

AVERTISSEMENT



Risque de blessure grave ou de mort par électrocution.

- Pour réduire le risque de choc électrique, débranchez l'alimentation avant de travailler sur ou autour du système.
- Assurez-vous que cette pompe est connectée à un circuit équipé d'un disjoncteur différentiel de fuite à la terre (DDFT) si le règlement l'exige.
- Cette pompe est fournie avec un conducteur de mise à la terre et d'une fiche de branchement de type mise à la terre. Pour réduire le risque de décharge électrique, assurez-vous qu'il est correctement raccordé à un réceptacle de type mise à la terre uniquement. Ne retirez pas la troisième broche de la fiche.
- Assurez-vous que les branchements électriques ne peuvent pas être en contact avec l'eau si son niveau augmente. La boîte de jonction ne doit en aucun cas être placée à un endroit où elle pourrait être submergée par l'eau.

Raccordez le cordon d'alimentation à une source d'alimentation électrique constante qui correspond à la plaque signalétique de la pompe.

- La pompe doit être connectée ou branchée sur son propre circuit, sans autre prise ou équipement sur la ligne du circuit.
- Les fusibles et les disjoncteurs doivent être d'une capacité suffisante dans le circuit électrique.
- Un circuit électrique de dérivation séparé est recommandé.

IMPORTANT : Si le cordon d'alimentation est endommagé, l'unité entière doit être remplacée.

FONCTIONNEMENT

AVIS

Risque de dommages à la pompe ou d'autres équipements.

- Ne pas faire fonctionner la pompe à sec. Un fonctionnement à sec peut causer de sérieux dommages à la pompe.
- Ne laissez pas l'appareil geler. Le gel peut provoquer des fissures ou des déformations qui peuvent endommager l'appareil.

Pendant la saison des pluies, vérifiez tous les jours que la pompe fonctionne correctement.

REMARQUE : La pompe peut fonctionner avec une évacuation limitée sans être endommagée.

1. Assurez-vous que la pompe est en position verticale.
2. Vérifiez que le tuyau de refoulement est placé de sorte que l'eau évacuée ne revienne pas sur la bêche de piscine.
3. Confirmez que les niveaux MARCHE/ARRÊT sont conformes aux spécifications. Consultez "[Spécifications](#)" on page 13.

REMARQUE : Des températures proches du point de congélation peuvent amener le niveau « MARCHE » à atteindre 4 et le niveau « ARRÊT » à atteindre 2.

ENTRETIEN

⚠ AVERTISSEMENT



Risque de blessure grave ou de mort par électrocution.

- Pour réduire le risque de choc électrique, débranchez l'alimentation avant de travailler sur le système ou autour de celui-ci. Plusieurs interrupteurs d'isolement peuvent être nécessaires pour décharger l'équipement avant de procéder à son entretien.
- Toujours débrancher le cordon d'alimentation de la pompe et couper l'alimentation électrique avant d'entretenir la pompe ou l'interrupteur.
- Le carter moteur de la pompe est complètement scellé et ne nécessite aucun entretien. Le démontage du carter de moteur ou l'altération du cordon d'alimentation annule toute garantie.
- Ne manipulez pas une pompe ou tout composant du système avec les mains mouillées ou debout sur une surface humide ou mouillée, ou dans de l'eau.

⚠ ATTENTION



Risque de blessure, de choc électrique ou de dégâts matériels.

- Dans les applications où des fusibles à vis sont utilisés, retirez-les d'une seule main et gardez l'autre main et le torse exempts de tout contact.
- Maintenez toujours la pompe propre et dans un bon état.
- La pompe doit être nettoyée en profondeur avant le stockage estival.
- Si la pompe reste installée dans ces conditions, assurez-vous que le cordon reste connecté à une source d'alimentation.

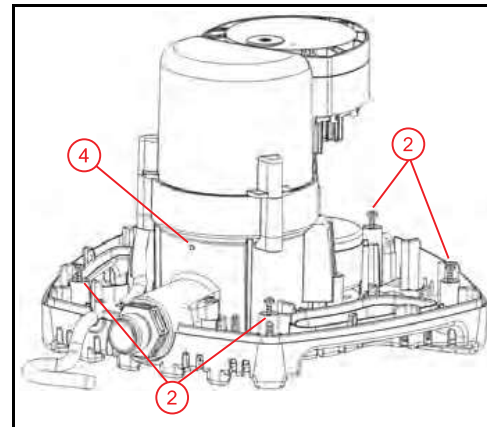
Entretien de flotteur

Si le flotteur est bloqué, retirez le couvercle d'accès au flotteur au bas de l'appareil.

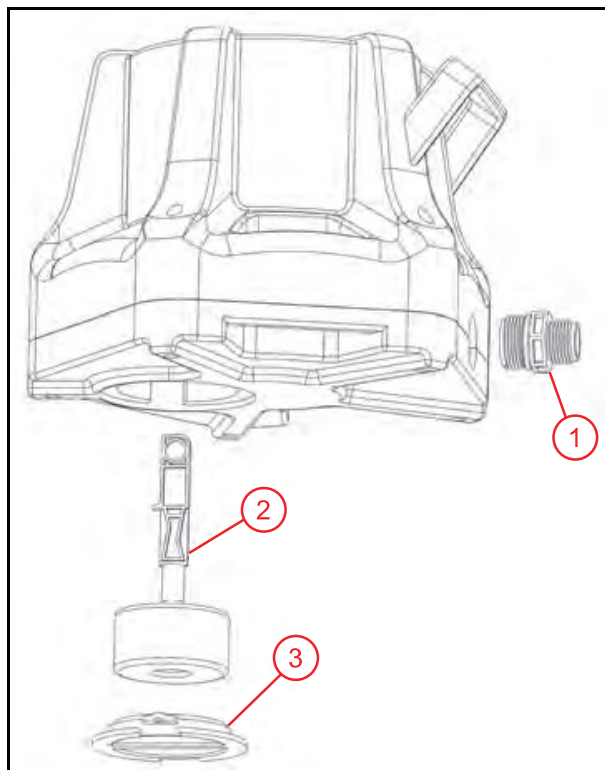
1. Retirez le couvercle en le tournant vers la flèche « OUVERT » comme indiqué sur la bache.
2. Nettoyez-le si nécessaire.
3. Puis réinstallez le couvercle d'accès.

Service périodique

1. Débranchez la pompe d'alimentation électrique.
2. Desserrez et retirez les 5 vis du couvercle externe bleu (quatre sont indiquées).
3. Retirez le couvercle externe.
4. Nettoyez la saleté dans le trou d'aération.
5. Replacez le couvercle externe et les vis.
6. Rebranchez la pompe à l'alimentation électrique.



Pièces de rechange

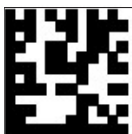


Article	Numéro de pièce	Description
1	177343	Adaptateur de tuyau d'arrosage
2	177344	Assemblage de tige/flotteur
3	177345	Bouchon d'accès au flotteur

Dépannage

Problème	Causes probables	Mesure corrective
La pompe ne s'allume pas.	La pompe n'est pas branchée.	Branchez la pompe.
	Le disjoncteur est désactivé ou le fusible est retiré.	Activez le disjoncteur ou remplacez le fusible.
	Accumulation de saleté sur le flotteur	Retirez le couvercle d'accès au flotteur. Nettoyez le flotteur.
	Obstruction du flotteur.	Consultez "Entretien de flotteur" on page 17.
	L'interrupteur est défectueux.	Remplacez la pompe.
Le moteur de la pompe ne s'arrête pas.	Le moteur est défectueux.	Remplacez la pompe.
	Obstruction du flotteur.	Consultez "Entretien de flotteur" on page 17.
	L'interrupteur est défectueux.	Remplacez la pompe.
	La pompe fait un blocage par l'air.	Éteignez l'appareil pendant environ 1 minute, puis redémarrez-le. Répétez cette opération plusieurs fois pour retirer l'air de la pompe. Si cela ne résout pas le problème, nettoyez le trou d'aération. Consultez "Entretien" on page 16.
	L'entrée de liquide correspond à ou dépasse la capacité de la pompe.	Une pompe avec une plus grande capacité ou plusieurs pompes sont requises.
La pompe fonctionne, mais ne rejette pas de liquide.	Eau gelée dans le boyau d'évacuation.	Dégelez ou remplacez le tuyau.
	La pompe est trop élevée.	Vérifiez les performances nominales de la pompe.
	L'entrée du rotor est obstruée.	Retirez la pompe et nettoyez-la.
	La pompe contient de l'air	Éteignez l'appareil pendant environ 1 minute, puis redémarrez-le. Répétez cette opération plusieurs fois pour retirer l'air de la pompe. Si cela ne résout pas le problème, nettoyez le trou d'aération. Consultez "Entretien" on page 16.
	Le débit de sortie est bloqué.	Vérifiez si le tuyau de sortie n'est pas coudé ou bloqué. Enlevez la couche visqueuse et les débris du tuyau. Nettoyez les tuyaux d'entrée et de sortie.
La pompe n'atteint pas sa capacité nominale.	Eau gelée dans le tuyau de refoulement.	Dégelez ou remplacez le tuyau.
	La pompe est trop élevée.	Vérifiez les performances nominales de la pompe.
	Basse tension, vitesse trop lente.	Vérifiez que la tension d'alimentation correspond à celle indiquée sur la plaque signalétique.
	Le rotor ou le tuyau de refoulement est obstrué.	Retirez la pompe et nettoyez-la. Vérifiez qu'il n'y a pas de signes de tartre ou de corrosion sur le tuyau.
La pompe fonctionne de façon continue.	Le diamètre du tuyau d'évacuation est trop petit.	Remplacez le tuyau de refoulement par un tuyau de diamètre plus large.
	Aucun clapet anti-retour dans le long tuyau de refoulement permettant à l'eau de s'écouler sur la bêche.	Installez un clapet anti-retour sur le tuyau de refoulement.
	Vérifiez l'absence de fuites au niveau du clapet.	Vérifiez le bon fonctionnement du clapet anti-retour.
	L'interrupteur est défectueux.	Remplacez la pompe.
	Volute obstruée.	Nettoyez le tamis et le panier.
	Obstruction du flotteur.	Consultez "Entretien de flotteur" on page 17.
	Le protecteur thermique est activé.	Laissez la pompe refroidir.
Le dispositif DDFT est activé.	Inspectez tous les raccords électriques et reconfigurez le dispositif DDFT.	
Déclenchement du protecteur (surcharge/surchauffe du moteur)	Rotor de pompe obstrué	Retirez la pompe et nettoyez-la. Vérifiez qu'il n'y a pas de signes de tartre ou de corrosion sur le tuyau.
	La pompe contient de l'air	Éteignez l'appareil pendant environ 1 minute, puis redémarrez-le. Répétez cette opération plusieurs fois pour retirer l'air de la pompe. Si cela ne résout pas le problème, nettoyez le trou d'aération. Consultez "Entretien" on page 16.
	Une alimentation trop élevée ou trop basse en tension	Consultez "Spécifications" on page 13.
	Une pompe, un moteur, des roulements ou un joint ayant atteint la fin de leur vie utile	Remplacez la pompe.

REMARQUE:



Pour l'aide technique, entrez s'il vous plaît en contact :

800.701.7894 | littlegiant.com

998295 Rév.005 06/22

LittleGIANT®

Franklin Electric Co., Inc. | Oklahoma City, OK 73157-2010

Droits d'auteur © 2022, Franklin Electric, Co., Inc. Tous droits réservés.